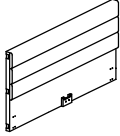
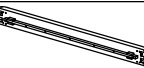
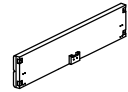

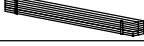
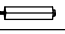










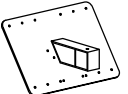














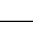
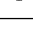


NOUVELLE CANOPY BED

Thank you for purchasing this quality product. Be sure to check all packing material carefully for small parts that may have come loose inside the packing during shipment.

PARTS LIST			
PART.	DESCRIPTION	SKETCH	QTY
A	Uph Headboard		1Pc
B	Bed Rails		2Pcs
C	Uph Footboard		1Pc
D	Center Rail		1Pc
E	Roll Slats		1Set=14Pcs
F	Long Support Leg		2Pcs
G	Short Support Leg		2Pcs
H	Canopy metal post Headboard Right		1Pc
I	Canopy metal post Headboard Left		1Pc
K	Canopy metal frame Headboard		1Pc
J	Canopy metal post Footboard Right		1Pc
L	Canopy metal post Footboard Left		1Pc
M	Canopy metal frame Footboard		1Pc
N	Canopy metal frame Side Rails		2Pcs
O	Metal plate 1		4Pcs
P	Metal plate 2		4Pcs
R	TV bracket		1Pc

HARDWARE LIST			
NO.	SKETCH	DESCRIPTION	QTY
1		Allen Bolt 5/16" - 18 x 1- 3/8"	18Pcs
2		Spring Washer 5/16" x 1/2"	34Pcs
3		Flat Washer 5/16" x 3/4"	34Pcs
4		Allen Bolt 5/16" -18 x 7/8"	16Pcs
5		Allen Key 5/16 "	1Pc
6		Allen Bolt 1/4" - 20 x 1- 3/8"	32Pcs
7		Spring Washer 1/4" x 3/8"	33Pcs
8		Flat Washer 1/4" x 5/8"	33Pcs
9		Allen Bolt 1/4" - 20 x 3/4"	1Pc
10		Allen Key 1/4"	1Pc
11		Screw #4 x 1- 3/16"	6Pcs

TV MOUNTING BOLTS AND WASHERS			
12		Head Screw M4 x 15mm	4Pcs
13		Head Screw M5 x 15mm	4Pcs
14		Head Screw M6 x 20mm	4Pcs
15		Flat Washer 1/4 x 15mm	12Pcs
16		Spring Washer 1/4 x 10mm	12Pcs

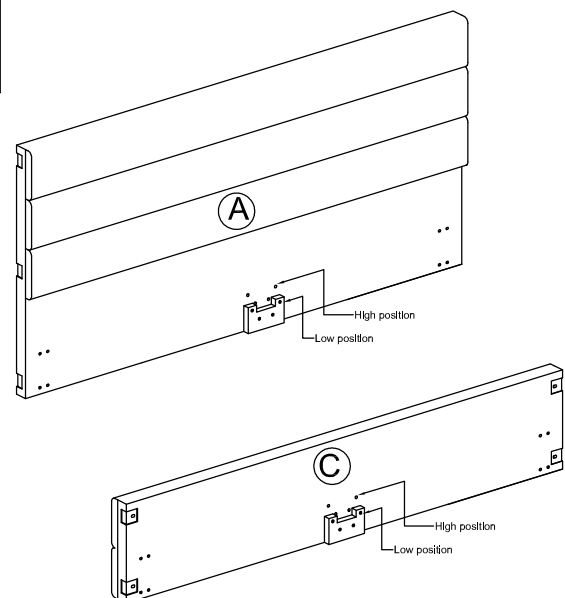
REMARKS:

There are 2 options for assembling the bed as below

- Option 1: LOW POSITION
- Option 2: HIGH POSITION

* WARNING *

For Flat Screen TV Only (no curved TVs)
 Maximum weight limit: 40 pounds
 Maximum TV size: 43 inches
 R&F Delivery does not include TV installation
 TV must be secured with four bolts
 Assembly instructions can be found at
www.themediabed.com





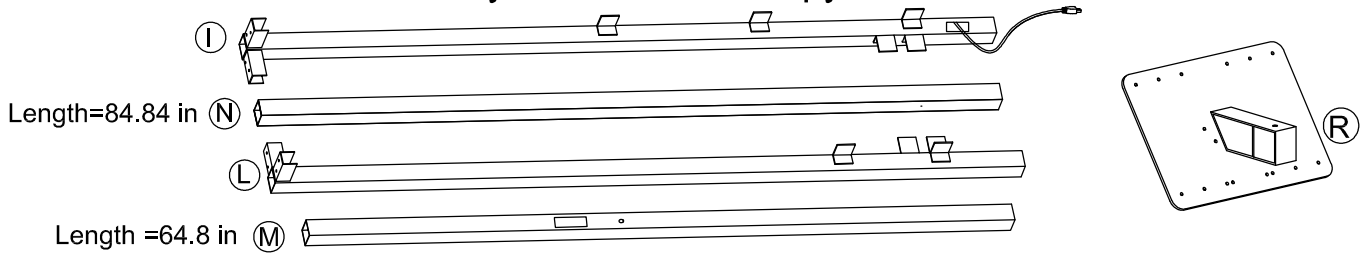
WARNING: To avoid serious personal injury:

- We recommend that you should assemble this product with the assistance of another person; this will make assembly easier, and will help to eliminate damage to the product or injury to persons during assembly.
- Please put all parts on a non-abrasive floor before assembly, and follow the assembly steps to assemble your newly purchased product correctly and efficiently.
- Carefully and strictly follow assembly instructions. Improper assembly of furniture can result in structural failure, instability of the product, or tip-over.
- Monitor and carefully control the assembly components. These include small parts and hardware that may present a choking hazard to small children. Raymour & Flanigan furniture Should be assembled only by responsible adults and children should not be involved in the assembly process.
- Where provided, wall mounting hardware should always be used as prescribed in these instructions to anchor furniture to walls. Proper use of the wall mounting hardware can significantly reduce the potential for furniture tip-over and crushing injuries.

ASSEMBLY INSTRUCTION

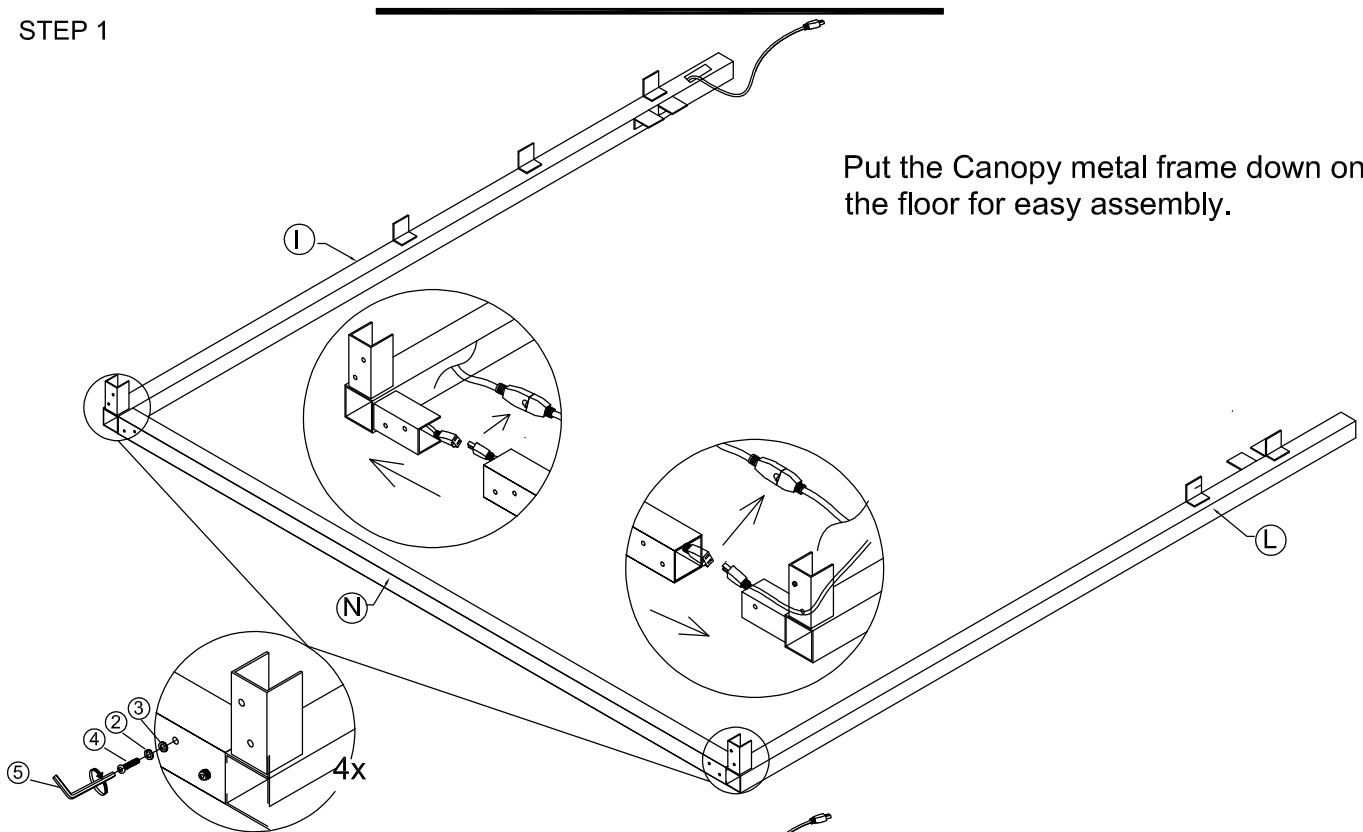
NOUVELLE CANOPY BED

Assembly instruction Canopy metal frame



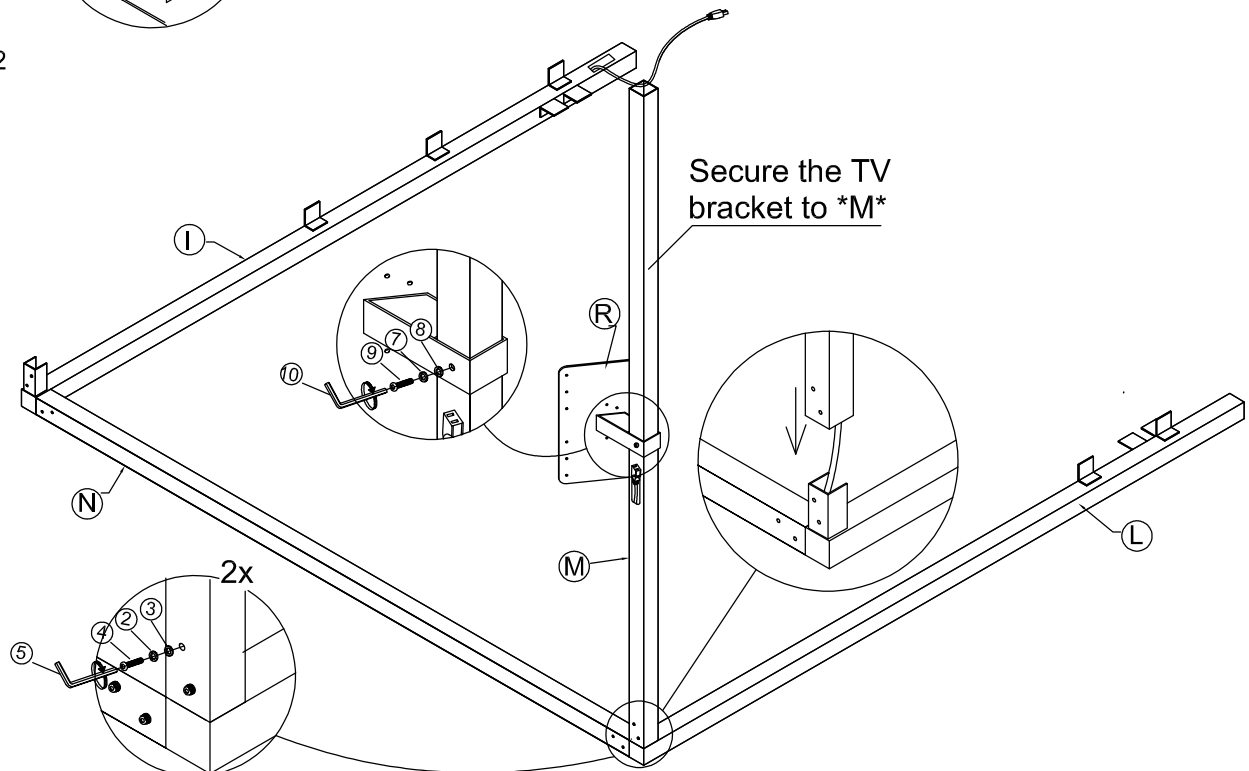
STEP 1

Put the Canopy metal frame down on the floor for easy assembly.



STEP 2

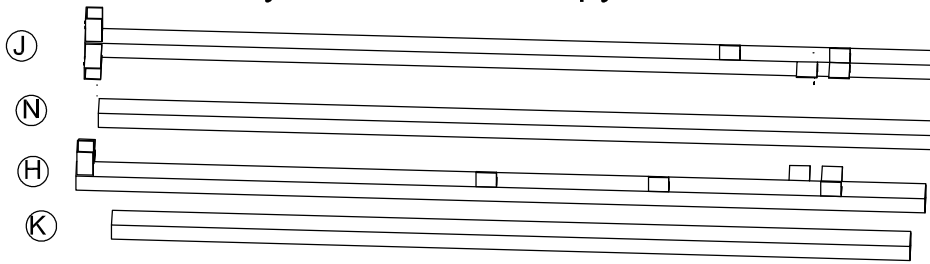
Secure the TV bracket to *M*



ASSEMBLY INSTRUCTION

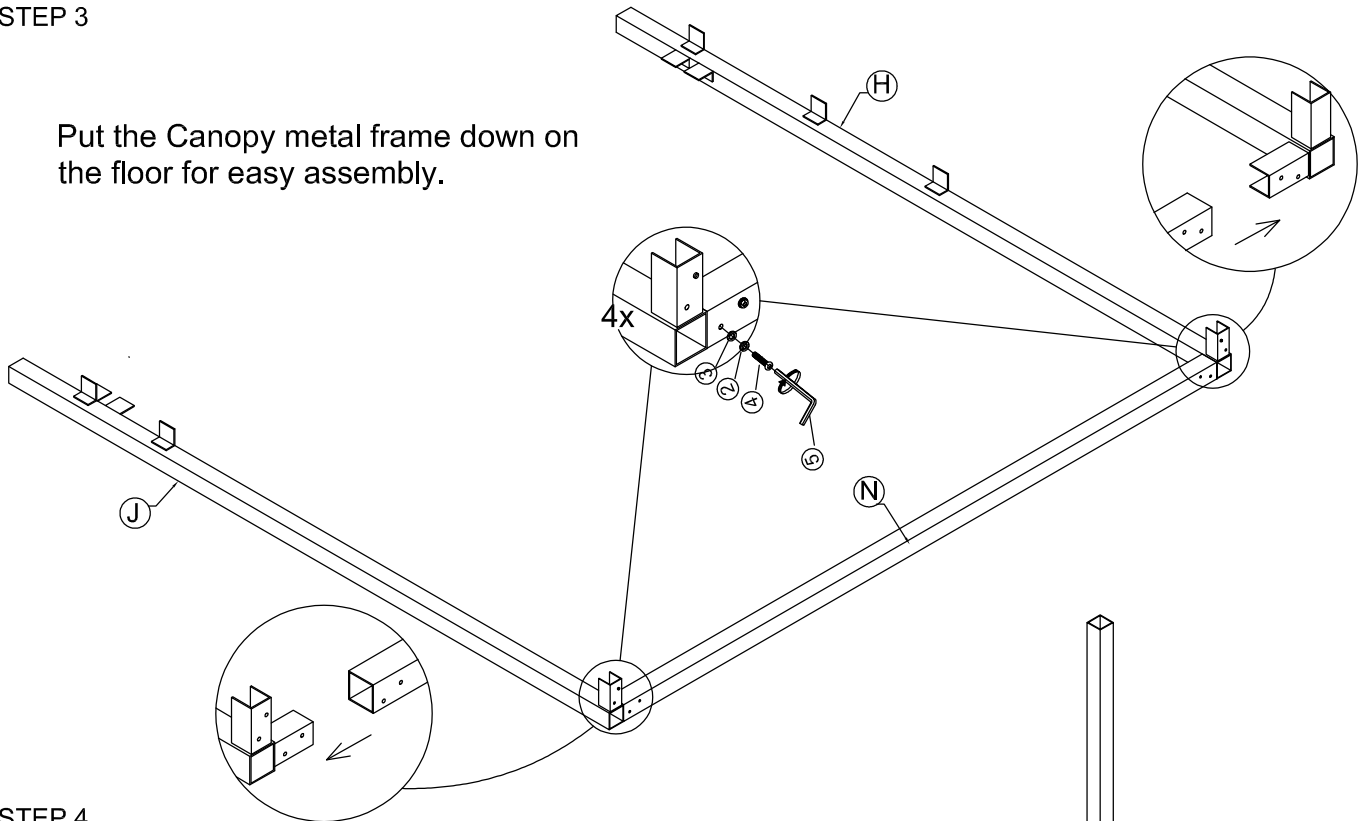
NOUVELLE CANOPY BED

Assembly instruction Canopy metal frame

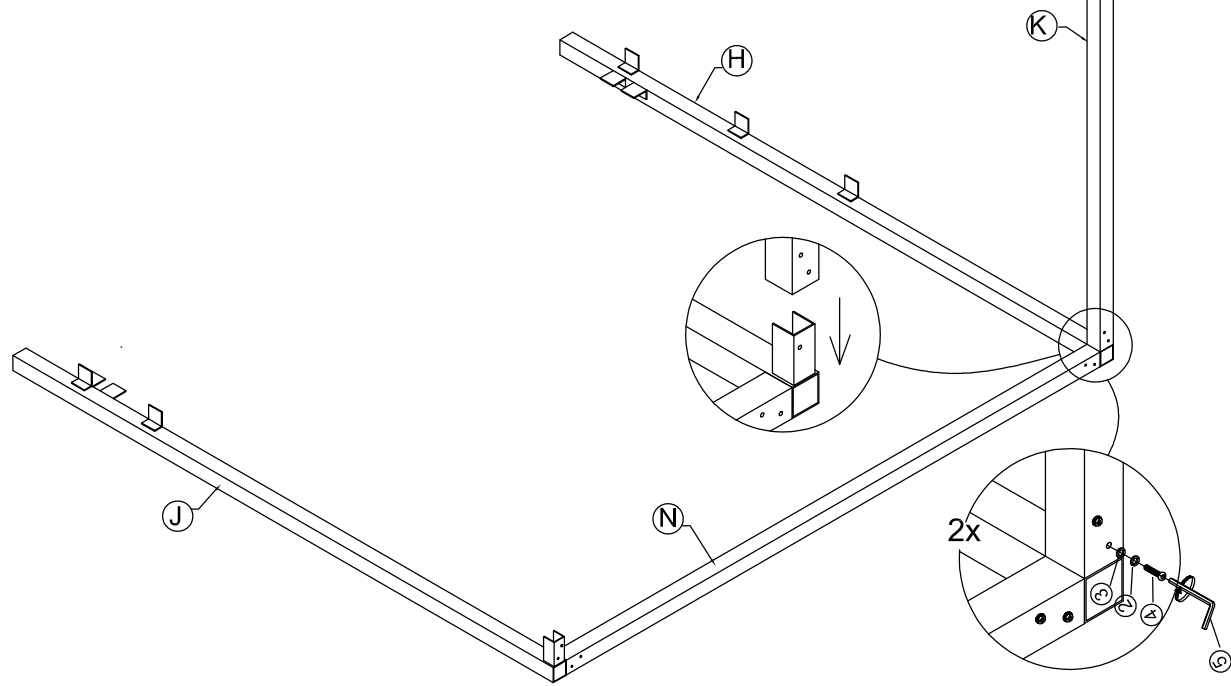


STEP 3

Put the Canopy metal frame down on the floor for easy assembly.



STEP 4

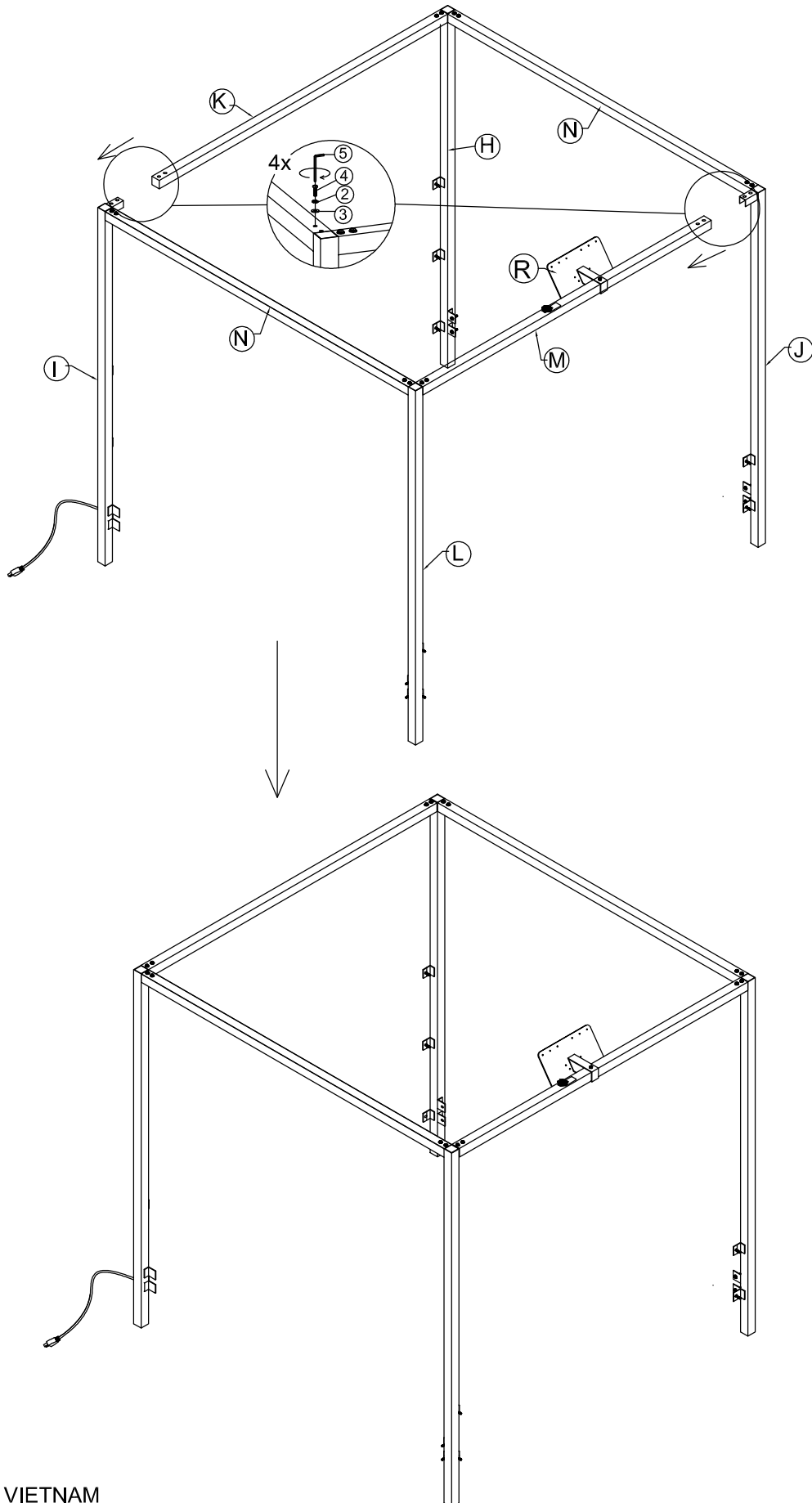


ASSEMBLY INSTRUCTION

NOUVELLE CANOPY BED

Assembly instruction Canopy metal frame

STEP 5

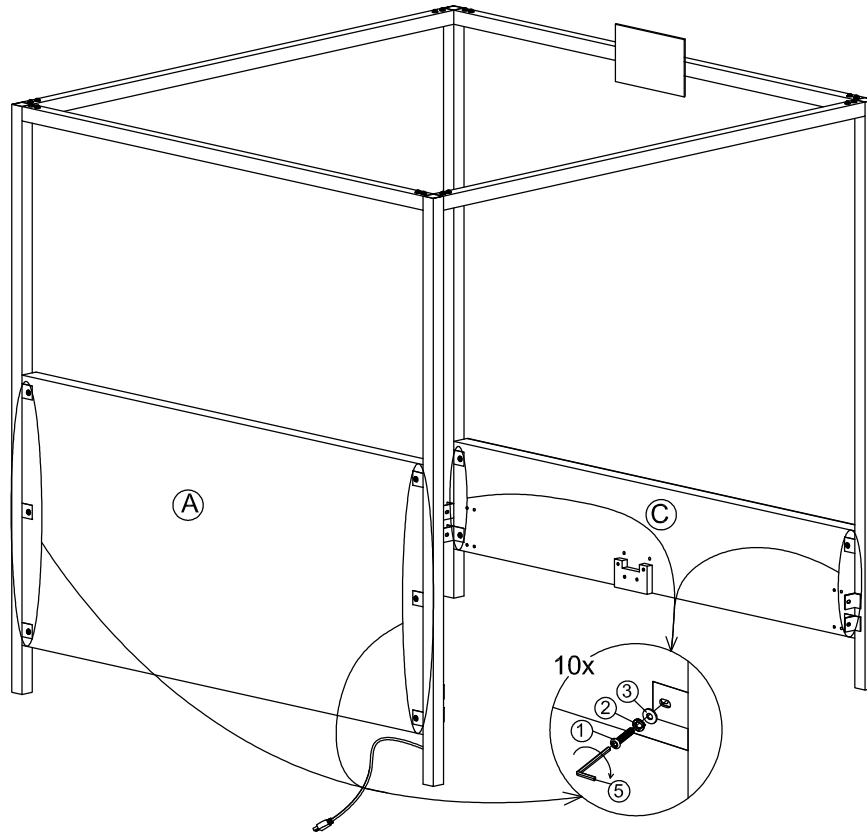


ASSEMBLY INSTRUCTION

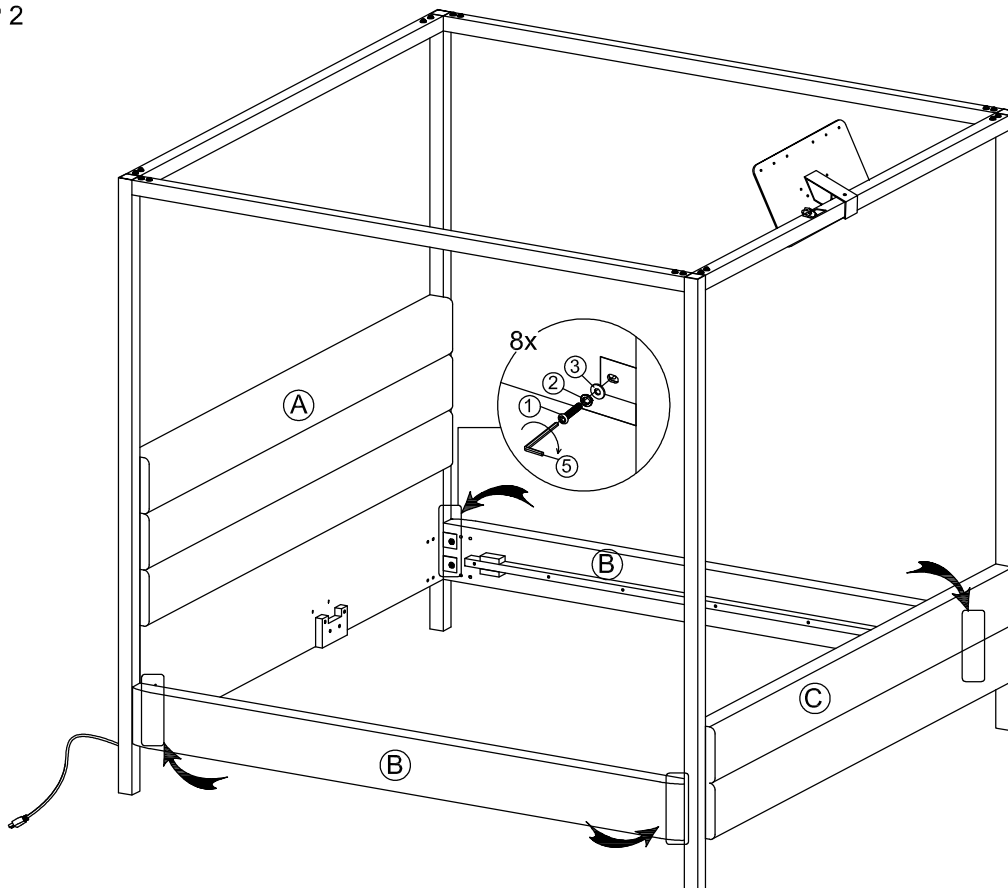
NOUVELLE CANOPY BED

OPTION 1: When using the side rail slats in the low position 1 only use Support Leg "F" under the slats

STEP 1



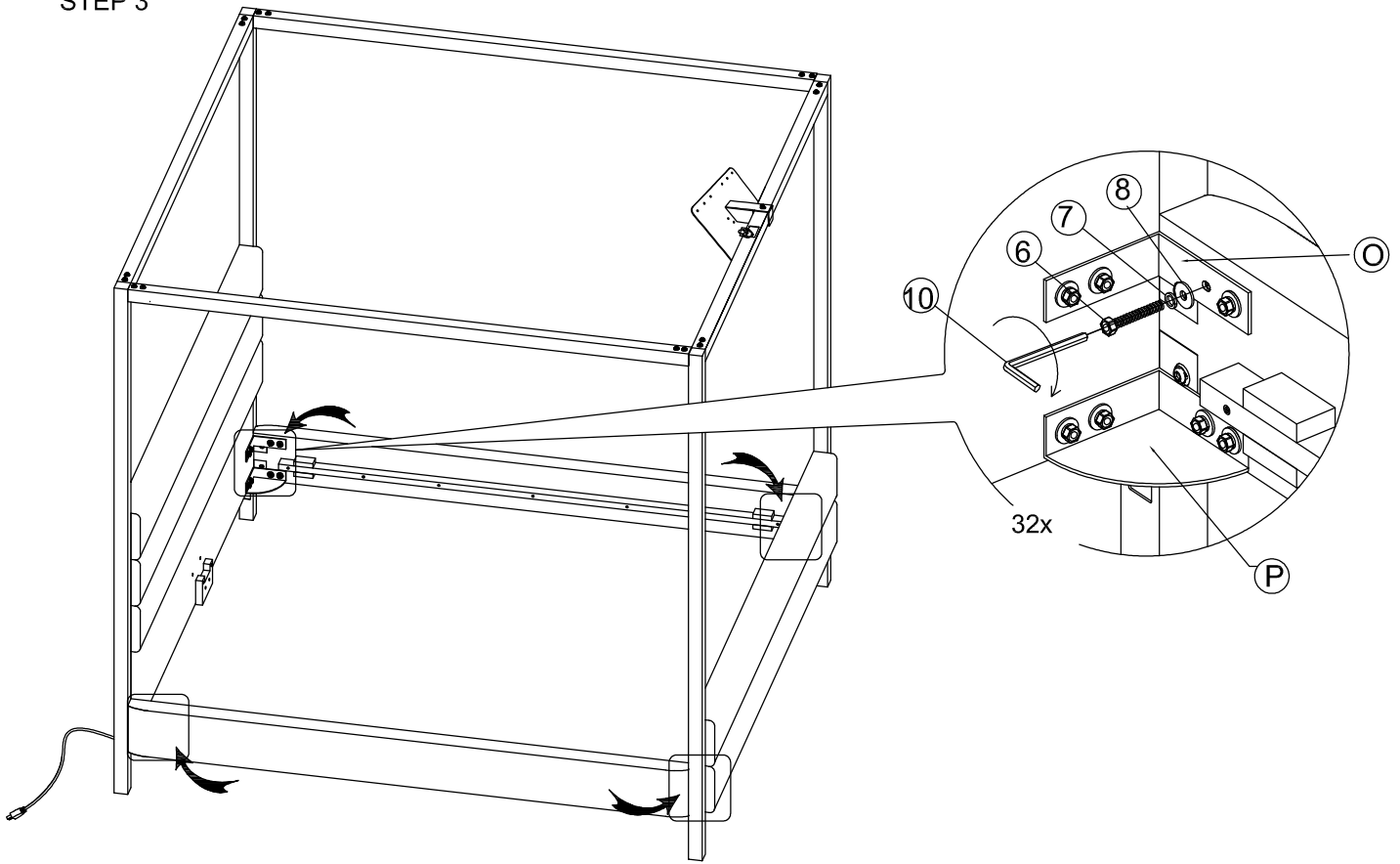
STEP 2



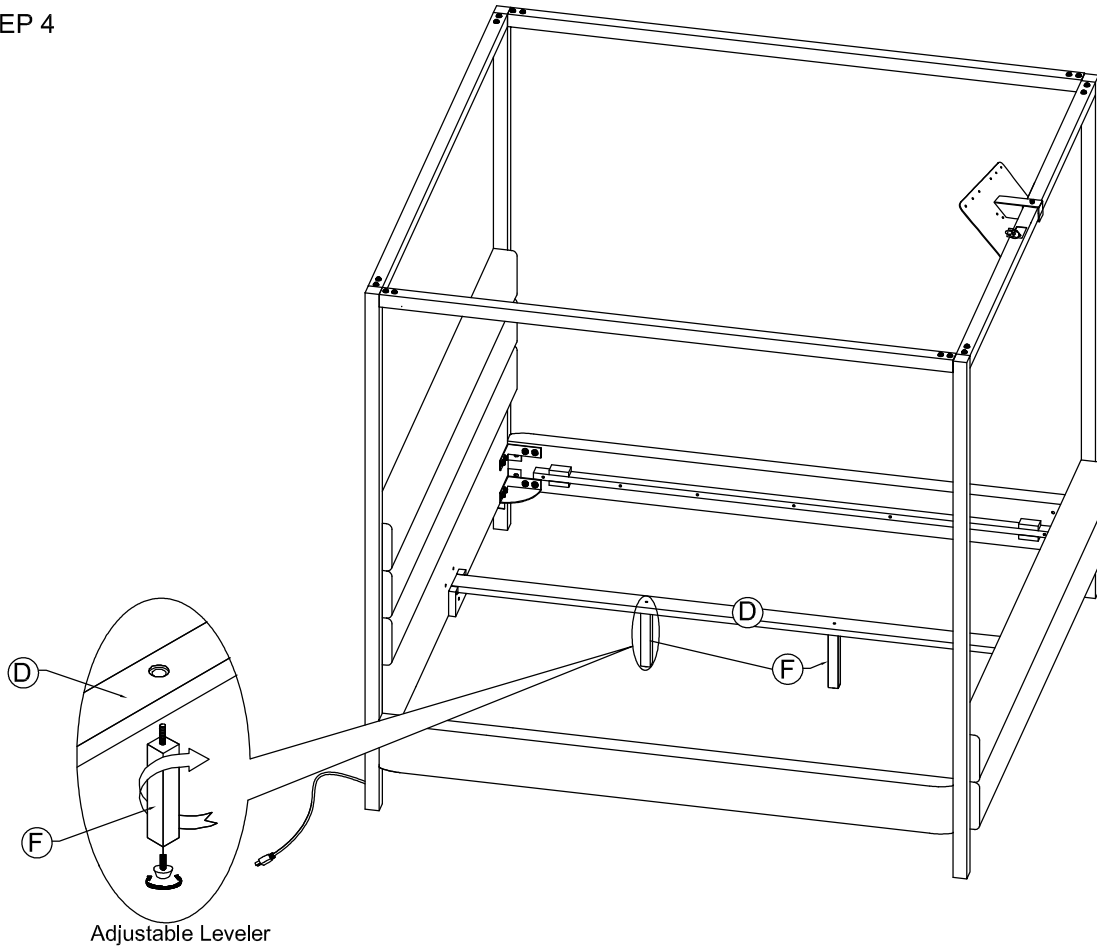
ASSEMBLY INSTRUCTION

NOUVELLE CANOPY BED

STEP 3



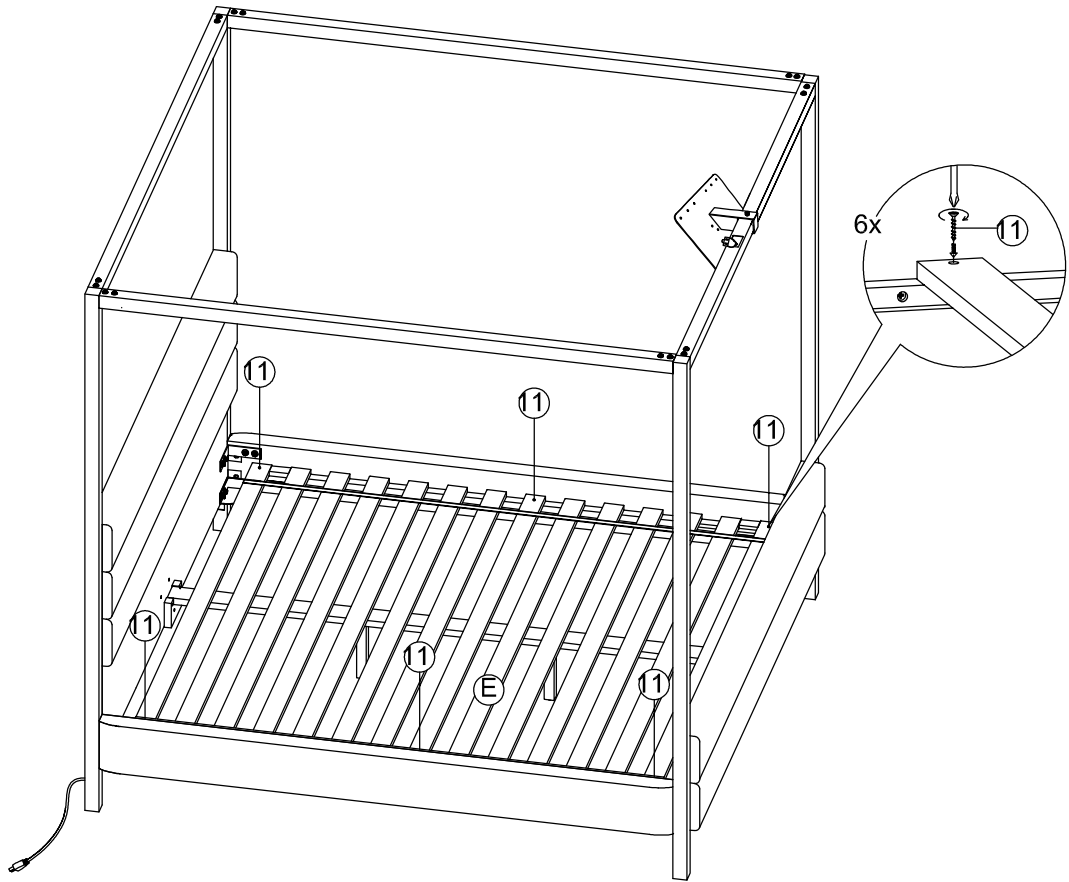
STEP 4



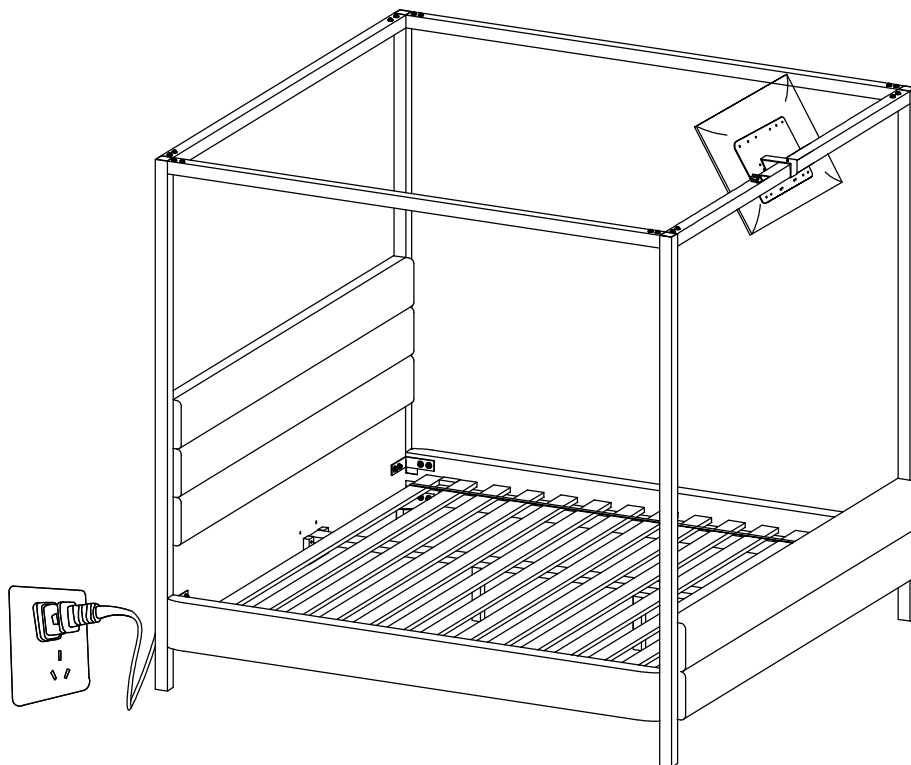
ASSEMBLY INSTRUCTION

NOUVELLE CANOPY BED

STEP 5



STEP 6



ASSEMBLY INSTRUCTION

NOUVELLE CANOPY BED

Assembly Instruction for mounting the TV to the bracket (STEP 6)

1- Carefully lay TV face down on a flat soft surface

2- Open the hardware pack for the TV bracket and determine which length bolts to use by inserting them into the VESA bolt holes on back of the TV. Select the bolt that fully engages the threads with enough clearance remaining for the mounting bracket and washers. Make sure bolts are not too long or they may damage internal TV components !



3- Study the bolt hole pattern on back of the TV to determine which bolt hole pattern to use on the mounting plate.

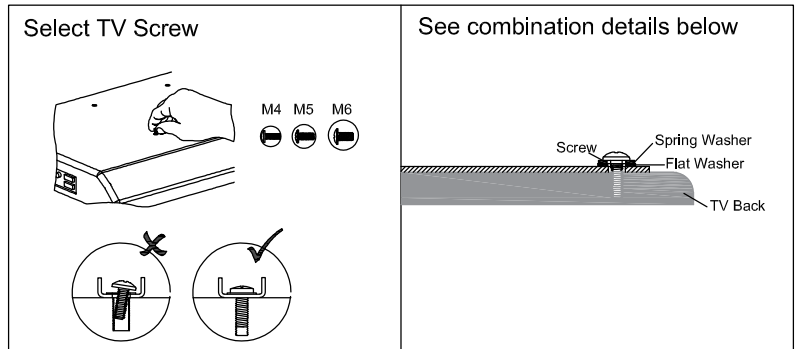
4- WITH A HELPER , Raise the TV to the mounting bracket, Align the correct holes, and insert 4 bolts (with washers and spring washers) through the mounting plate and into the holes on back of the TV. Tighten securely.

Important Note - the TV must be secured with 4 bolts !

Important Note: the TV mounting plate is a universal design intended to work with most newer flatscreen TVs on the market today. However, there may be some TVs that do not match up properly. These TVs will require an aftermarket adapter that can be purchased from Amazon or most any electronics retailer.

If required, search for TV Mount Adapter bracket. Some Common brands are: VideoSecu, Mount Plus, Mount It! and Vivo Steel.

TV MOUNTING BOLTS AND WASHERS			
12		Head Screw M4 x 15mm	4Pcs
13		Head Screw M5 x 15mm	4Pcs
14		Head Screw M6 x 20mm	4Pcs
15		Flat Washer 1/4 x 15mm	12Pcs
16		Spring Washer 1/4 x 10mm	12Pcs



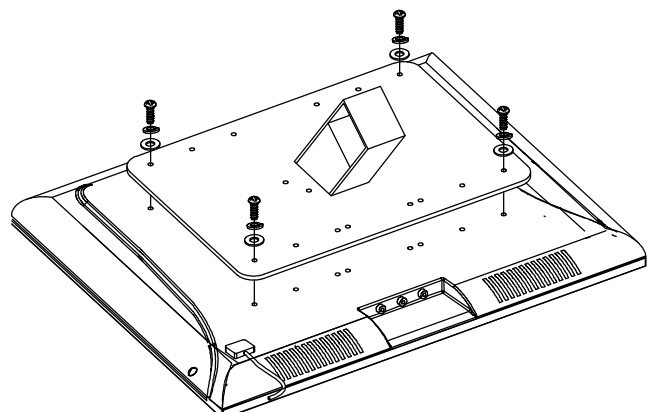
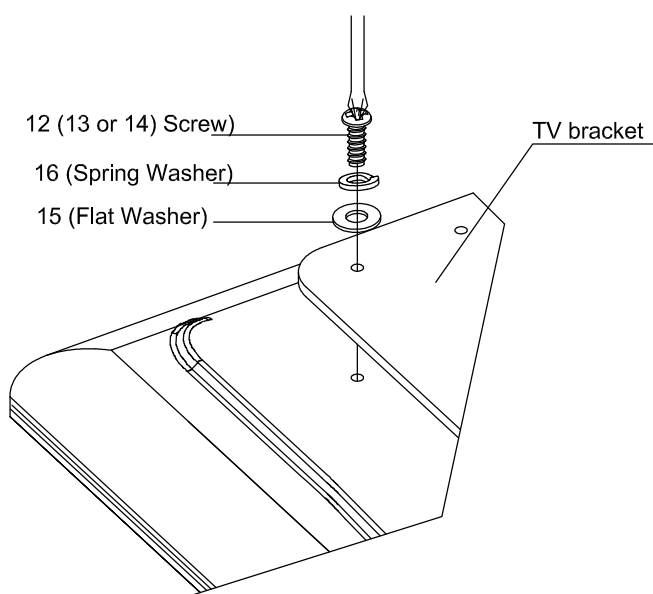
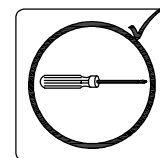
Warning:

- 2 People required for assembly. One person needs to hold the TV while the other person inserts the bolts through the mounting plate into the holes on back of the TV . Tighten bolts securely. ALL 4 bolts required for safe assembly.

Check regularly to make sure TV remains securely attached.

Check attachments Monthly.

* TV is mounted to bracket after bed is fully assembled



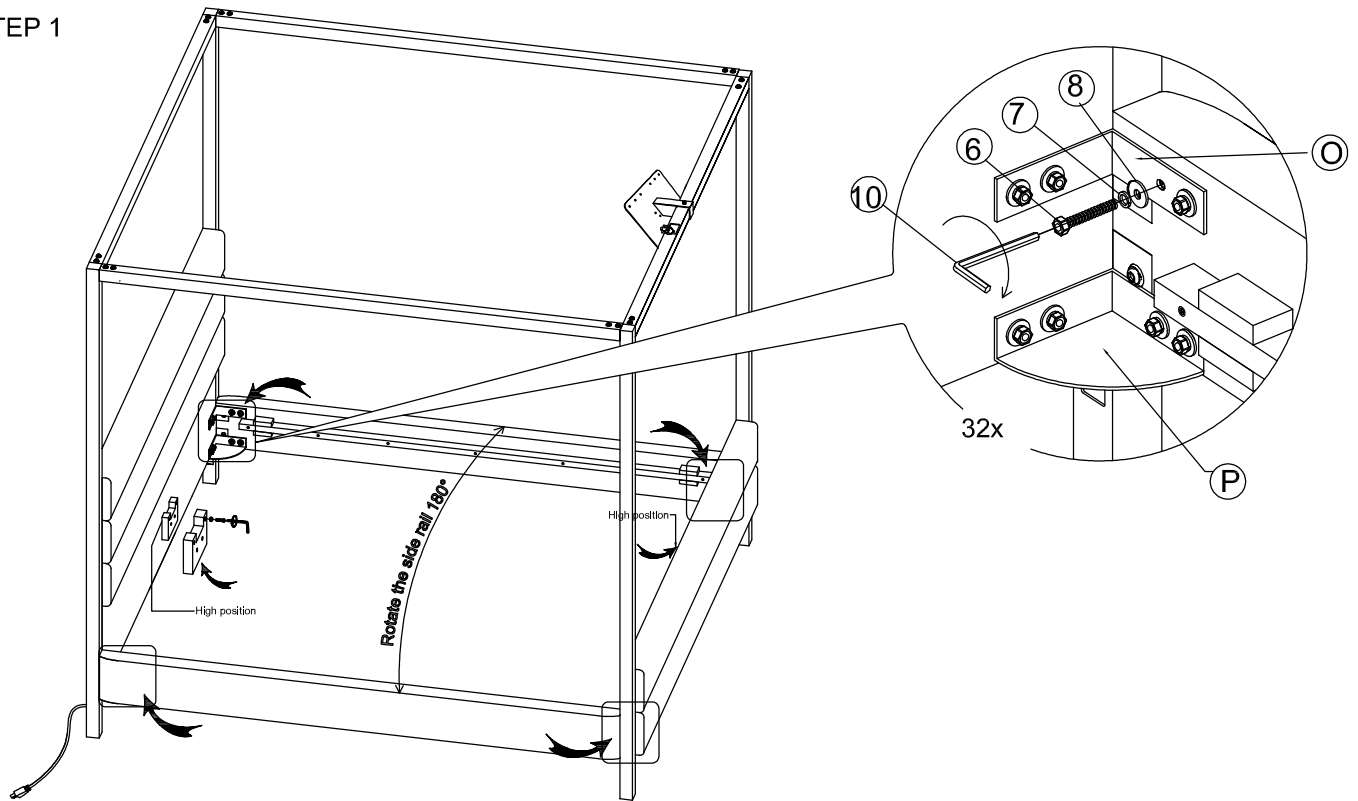
ASSEMBLY INSTRUCTION

NOUVELLE CANOPY BED

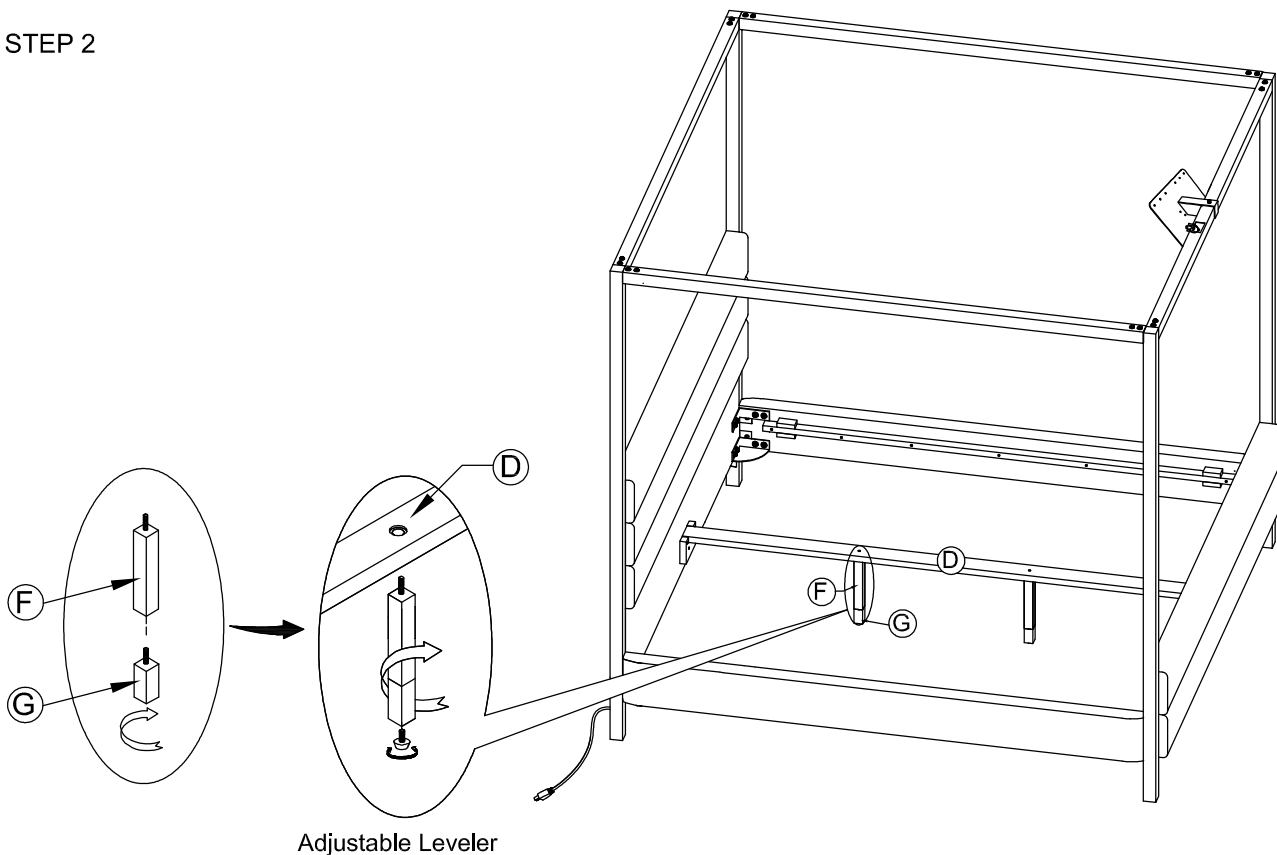
OPTION 2: Rotate the side rail 180° degrees to use Option 2 (When using the side rail slats in the high position use PART "F" & PART "G" under the slats)

"Your bed slat supports are pre-attached in the low position. The low position accommodates average-taller mattress heights. If you have a lower mattress (10"-12"), then you have the option to re-position the bedslat supports to a location 3" higher.

STEP 1



STEP 2



ASSEMBLY INSTRUCTION

NOUVELLE CANOPY BED

STEP 3

